

**PROPOSED EKO BOYS'  
 HIGH SCHOOL HALL RENOVATION  
 BY  
 EKONAS NORTH AMERICA  
 AT  
 MUSHIN LOCAL GOVERNMENT AREA, MUSHIN  
 LAGOS STATE.**



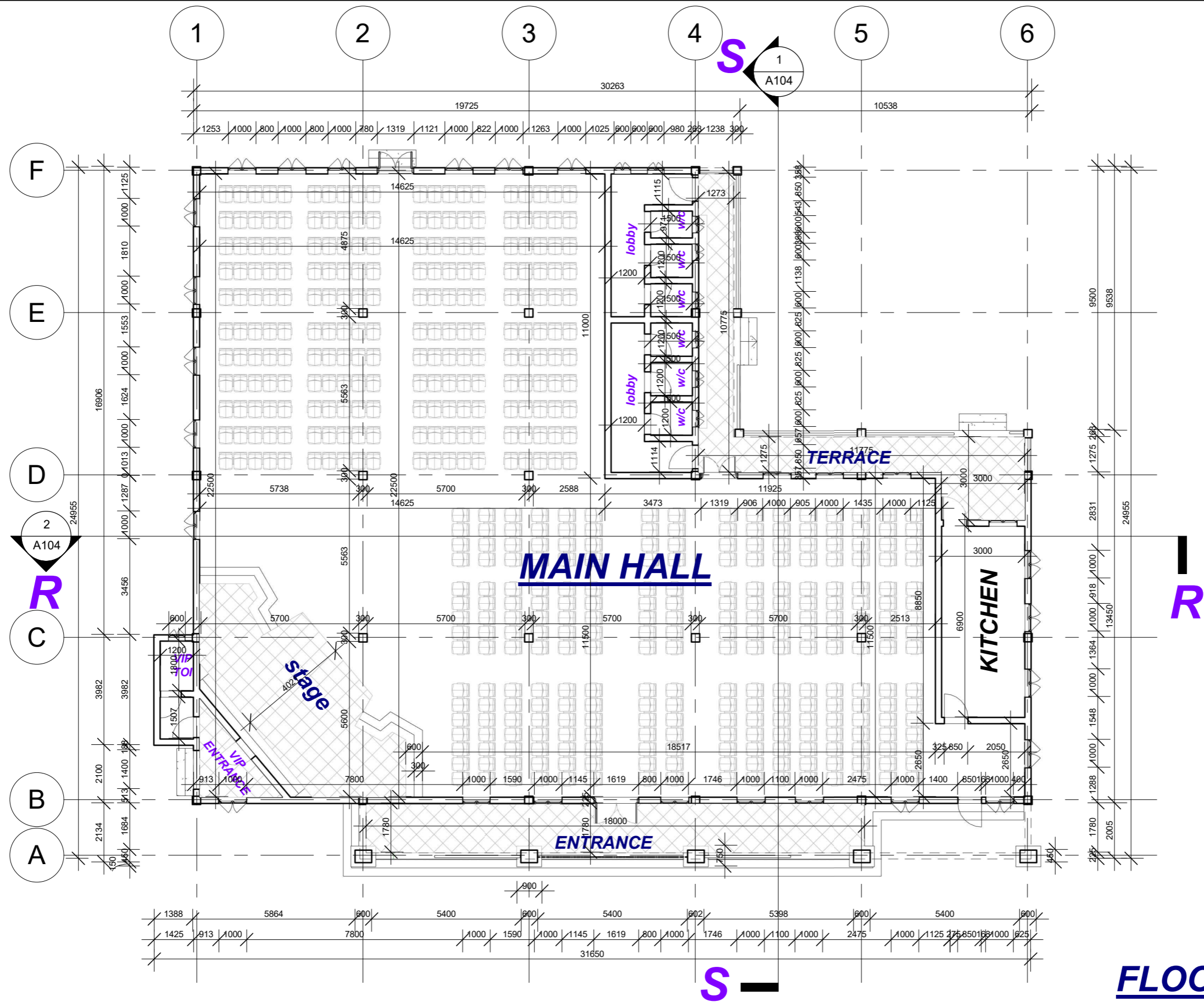
client:  
**EKOBA NORTH  
 AMERICA**

project / location:  
**EKO BOYS' HIGH SCHOOL HALL  
 RENOVATION  
 MUSHIN LOCAL GOVERNMENT,  
 MUSHIN LAGOS STATE.**

drg title		Scale: N.T.S
designed	WILLIAMS.O.S	
drawn	WILLIAMS.O.S	
Checked	ARC. AKANDE (F/4957)	sheet no

**ArcBills**  
 **Concepts**  
 ARCHITECT AND DEVELOPMENT CONSULTANT  
 email: arcbills321@gmail.com  
 Tel: 08038818321

Seal:



**FLOOR PLAN**

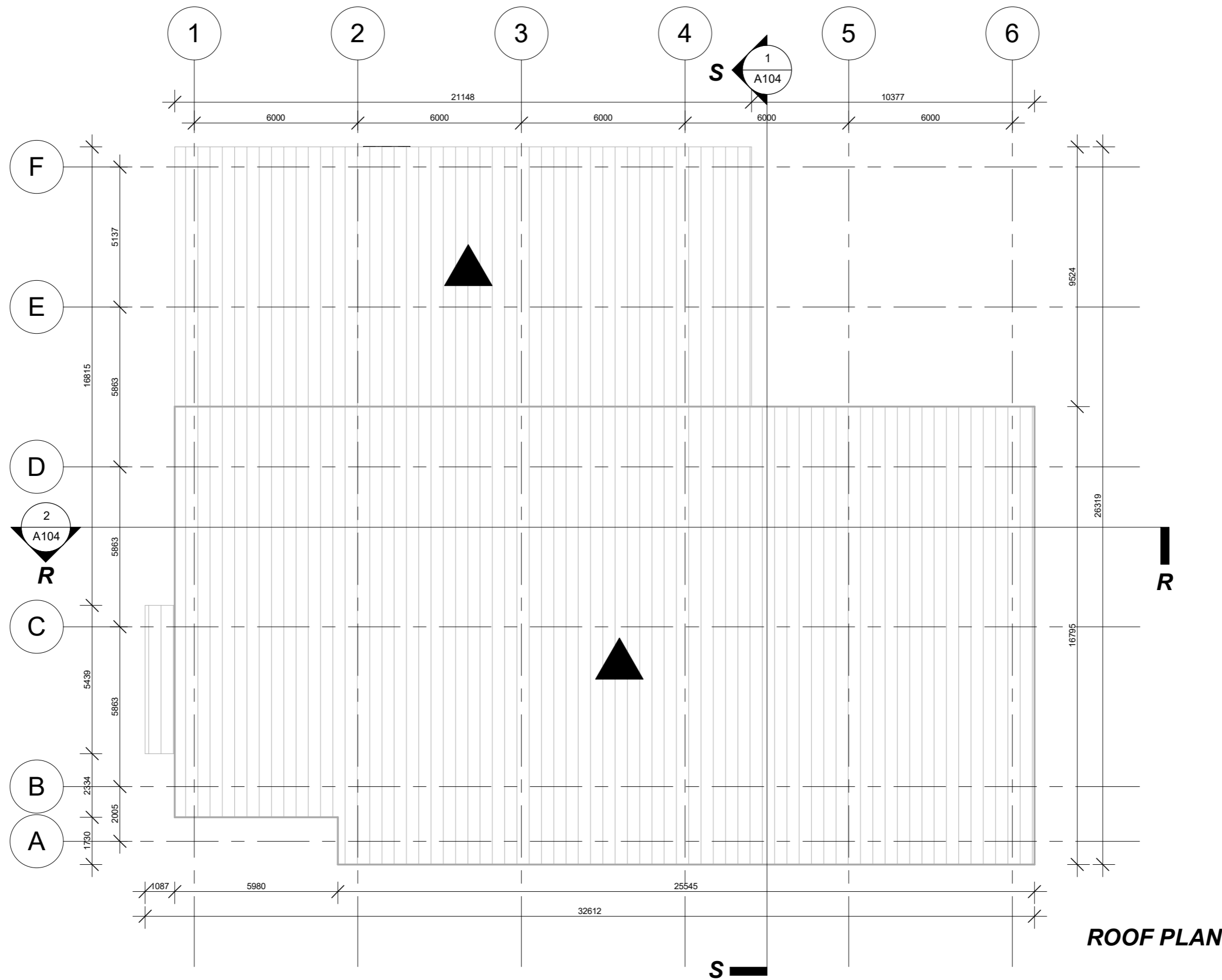
client:  
**EKOBA NORTH AMERICA**

project / location:  
**EKO BOYS' HIGH SCHOOL HALL RENOVATION**  
**MUSHIN LOCAL GOVERNMENT, MUSHIN LAGOS STATE.**

drg title		Scale: N.T.S
designed	WILLIAMS.O.S	
drawn	WILLIAMS.O.S	
Checked	ARC. AKANDE (F/4957)	sheet no

**ArcBills**  
  
**Concepts**  
 ARCHITECT AND DEVELOPMENT CONSULTANT  
 email: arcbills321@gmail.com  
 Tel: 08038818321

Seal:



client:  
**EKOBA NORTH  
 AMERICA**

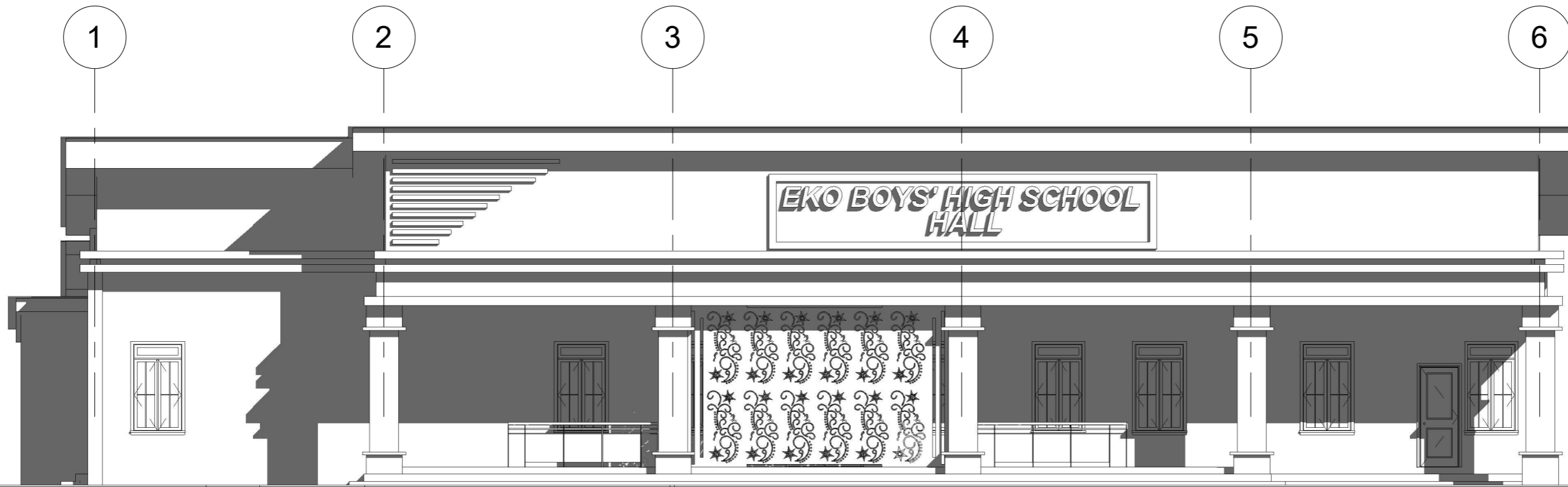
project / location:  
**EKO BOYS' HIGH SCHOOL HALL  
 RENOVATION  
 MUSHIN LOCAL GOVERNMENT,  
 MUSHIN LAGOS STATE.**

drg title		Scale: N.T.S
designed	WILLIAMS.O.S	
drawn	WILLIAMS.O.S	
Checked	ARC. AKANDE (F/4957)	sheet no

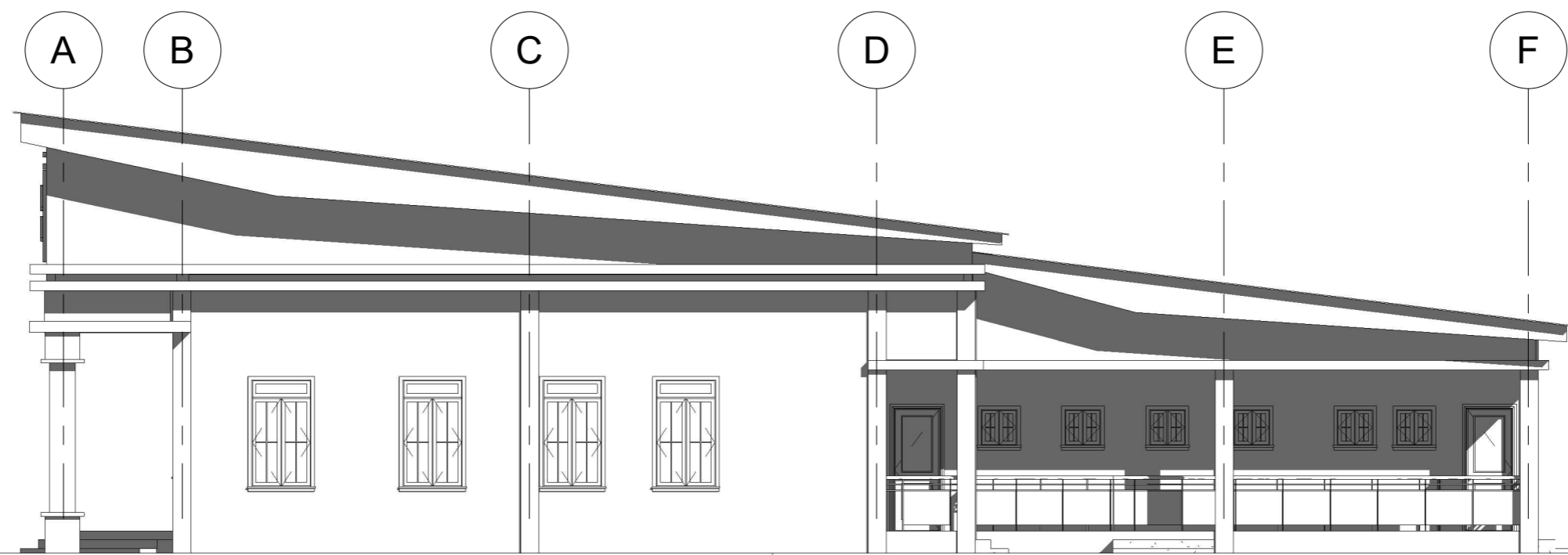
**ArcBills**  
 **Concepts**  
 ARCHITECT AND DEVELOPMENT CONSULTANT

email: [arcbills321@gmail.com](mailto:arcbills321@gmail.com)  
 Tel: 08038818321

Seal:



**APPROACH VIEW**



**RIGHT SIDE VIEW**

client:  
**EKOBA NORTH  
 AMERICA**

project / location:  
**EKO BOYS' HIGH SCHOOL HALL  
 RENOVATION  
 MUSHIN LOCAL GOVERNMENT,  
 MUSHIN LAGOS STATE.**

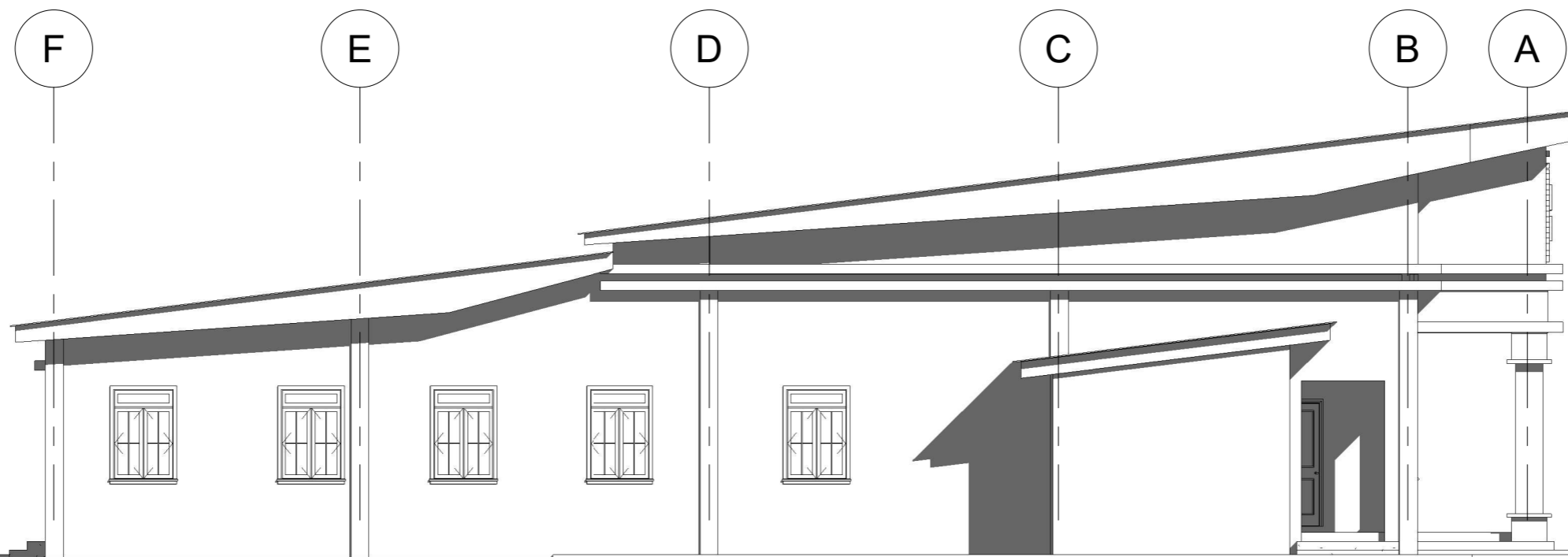
drg title		Scale: N.T.S
designed	WILLIAMS.O.S	
drawn	WILLIAMS.O.S	
Checked	ARC. AKANDE (F/4957)	sheet no

**ArcBills**  
 **Concepts**  
 ARCHITECT AND DEVELOPMENT CONSULTANT  
 email: arcbills321@gmail.com  
 Tel: 08038818321

Seal:



**REAR VIEW**



**LEFT SIDE VIEW**

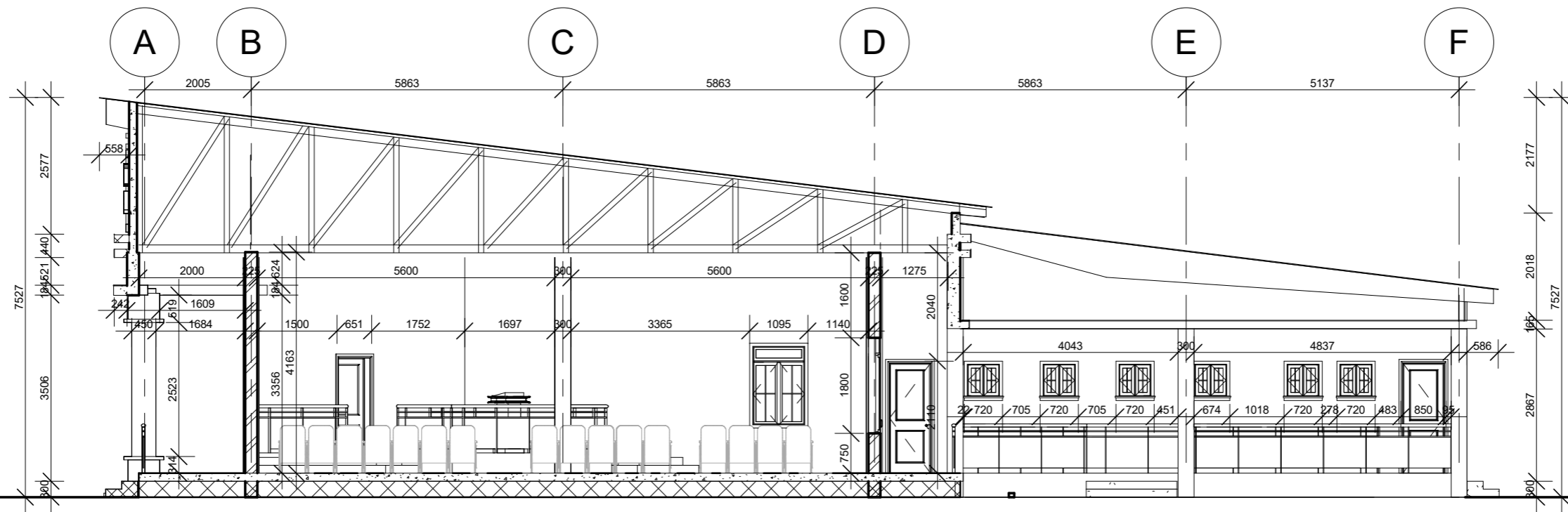
client:  
**EKOBA NORTH  
 AMERICA**

project / location:  
**EKO BOYS' HIGH SCHOOL HALL  
 RENOVATION  
 MUSHIN LOCAL GOVERNMENT,  
 MUSHIN LAGOS STATE.**

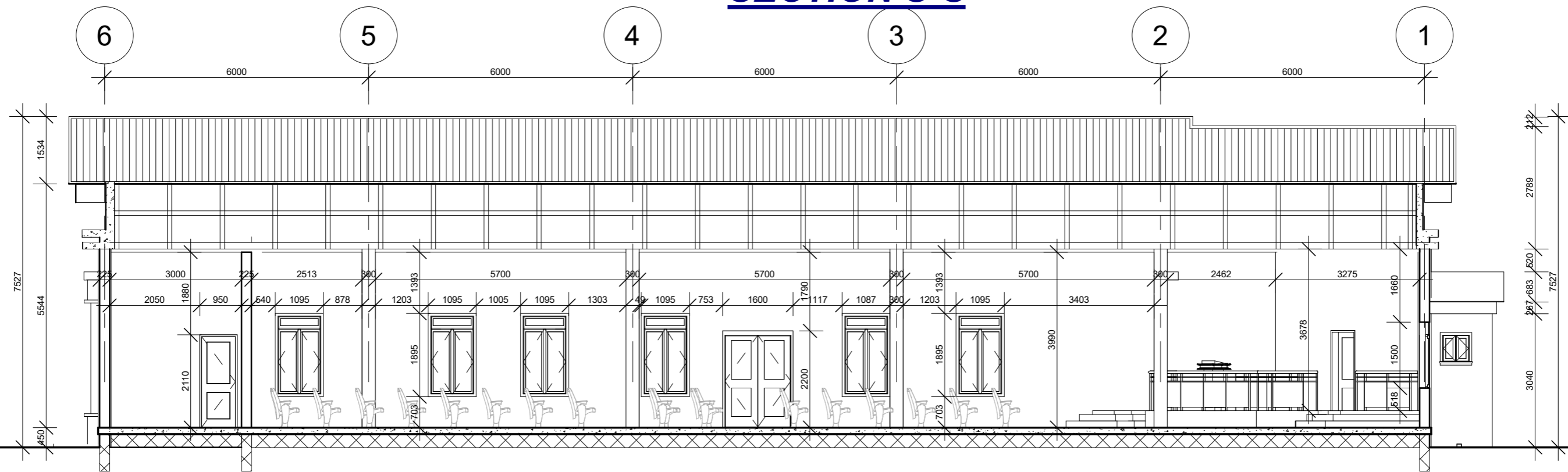
drg title		Scale: N.T.S
designed	WILLIAMS.O.S	
drawn	WILLIAMS.O.S	
Checked	ARC. AKANDE (F/4957)	sheet no

**ArcBills**  
  
**Concepts**  
 ARCHITECT AND DEVELOPMENT CONSULTANT  
 email: arcbills321@gmail.com  
 Tel: 08038818321

Seal:



**SECTION S-S**



**SECTION R-R**

client:  
**EKOBA NORTH AMERICA**

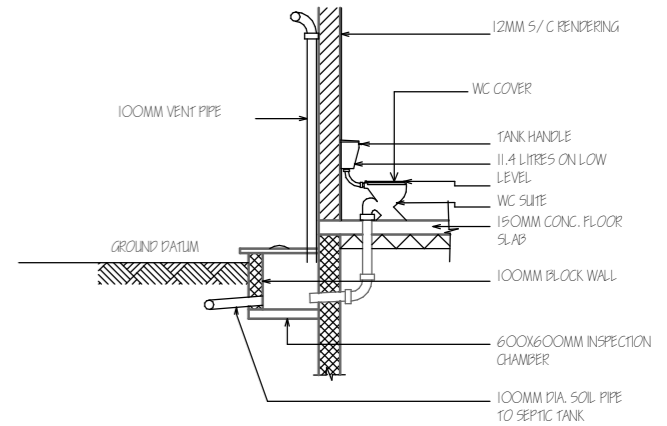
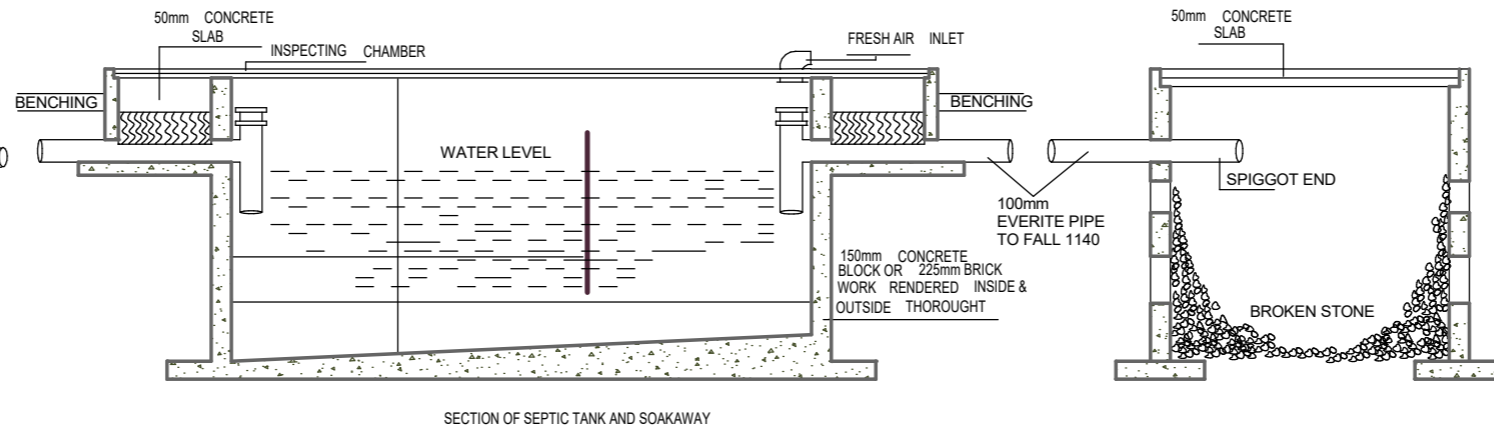
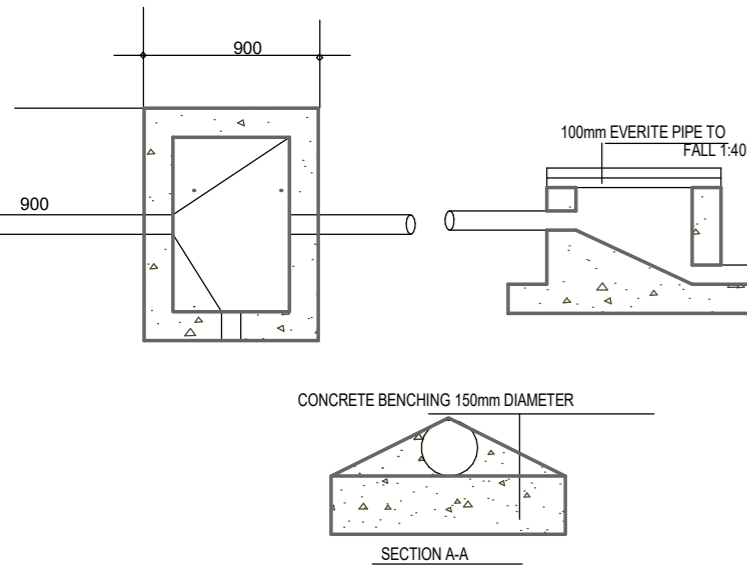
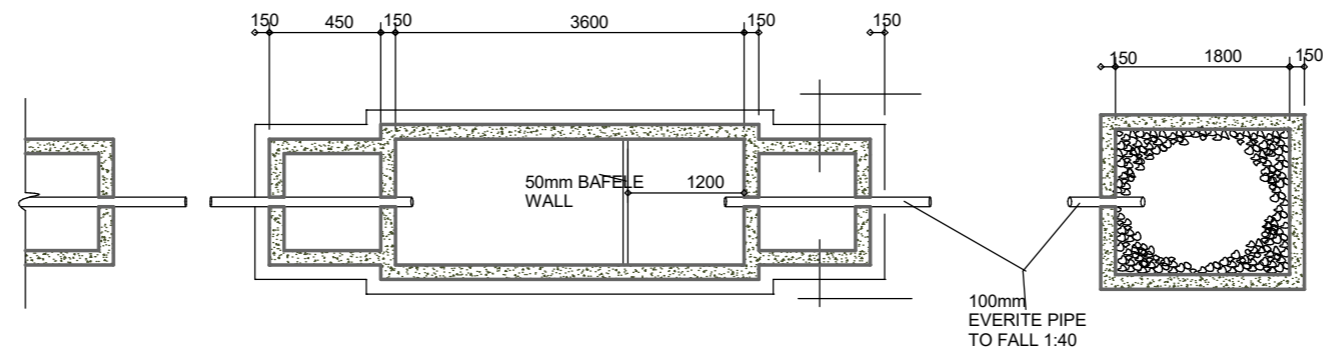
project / location:  
**EKO BOYS' HIGH SCHOOL HALL RENOVATION**  
**MUSHIN LOCAL GOVERNMENT,**  
**MUSHIN LAGOS STATE.**

drg title		Scale: N.T.S
designed	WILLIAMS.O.S	
drawn	WILLIAMS.O.S	
Checked	ARC. AKANDE (F/4957)	sheet no

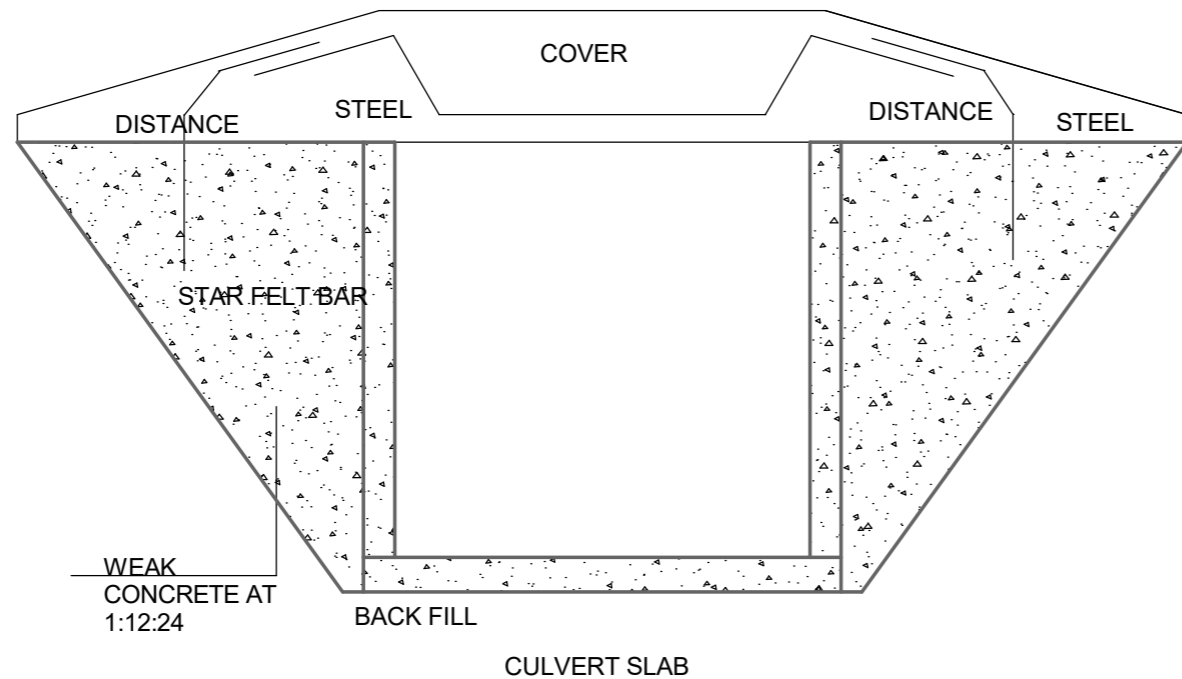
**ArcBills**  

**Concepts**  
 ARCHITECT AND DEVELOPMENT CONSULTANT  
 email: [arcbills321@gmail.com](mailto:arcbills321@gmail.com)  
 Tel: 08038818321

Seal:



WC WALL SECTION  
1



No of Users	Capacity	Dimensions					Dimensions	
		A	B	C	D		A	B
10	1134	2.032	457	1213	1372	25485cub.m	2236	610
15	14866	2.362	610	1213	1829	58223cub.m	2286	914
20	16990	2.591	610	1213	1829	50970cub.m	2286	1219
30	21238	2.867	610	1213	1905	76456cub.m	2743	1524
40	25485	2.743	610	1524	1829	101947cub.m	2743	2134
120	Utilisation factor 42475	3.048	762	1829	1829	96278cub.m		
200	141595	5.410	1219	2134	3658	529706cub.m		
150	53094	3.658	914	1829	2286	382279cub.m		
50	36812	2.896	838	1524	1905	127426cub.m	Type 3beam	

SCHEDULE OF SEPTIC TANK SIZES

Type	Dimension	Dimension
1	914	914
2	1219	1219
3	1829	1829

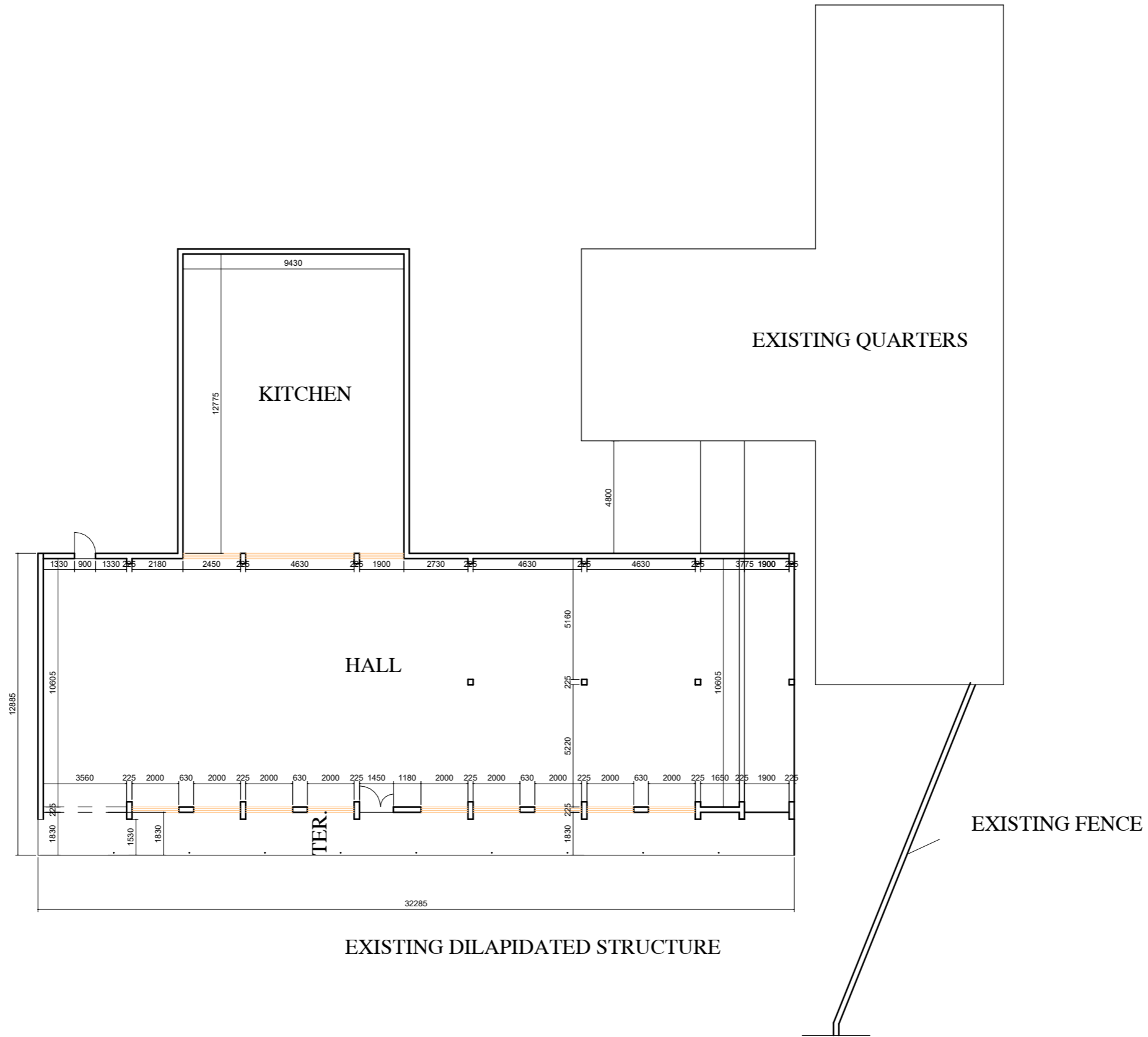
Seal:

client:  
**EKOBA NORTH AMERICA**

project / location:  
**EKO BOYS' HIGH SCHOOL HALL RENOVATION MUSHIN LOCAL GOVERNMENT, MUSHIN LAGOS STATE.**

drg title		Scale: N.T.S
designed	WILLIAMS.O.S	
drawn	WILLIAMS.O.S	
Checked	ARC. AKANDE (F/4957)	sheet no

**ArcBills Concepts**  
ARCHITECT AND DEVELOPMENT CONSULTANT  
email: [arcbills321@gmail.com](mailto:arcbills321@gmail.com)  
Tel: 08038818321



client:  
**EKOBA NORTH  
 AMERICA**

project / location:  
**EKO BOYS' HIGH SCHOOL HALL  
 RENOVATION  
 MUSHIN LOCAL GOVERNMENT,  
 MUSHIN LAGOS STATE.**

drg title	
designed	WILLIAMS.O.S
drawn	WILLIAMS.O.S
Checked	ARC. AKANDE (F/4957)

Scale:  
 N.T.S

sheet no

**ArcBills**  
 **Concepts**  
 ARCHITECT AND DEVELOPMENT CONSULTANT  
 email: [arcbills321@gmail.com](mailto:arcbills321@gmail.com)  
 Tel: 08038818321

Seal: